

# J . G . CROSS

MONUMENTAL AND BUILDING MASON

23 West Street

Crowland

Peterborough

Lincolnshire

PE6 0EE

Tel: 01733 – 211879

V.A.T. Reg No 330 3158 02

28.05.2021

O/N 21/110

GLINTON

## MEMORIAL APPLICATION

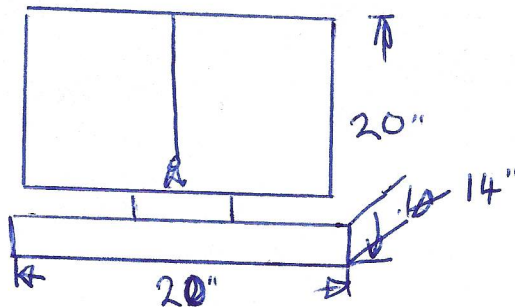
*The Burial Authority is hereby requested to sanction the erection of a Memorial on the*

**Grave of: John Josiah WEDGEWOOD**

**Grave number:**

## Details of Memorial

Ruby Red Granite Book memorial on a Riser and Base.



## **Inscription:**

Loved, Cherished  
and Adored

John

Josiah

Wedgewood

16th August 1949

7th May 2020

On base: Love your heart, night and bless XX

Nothing softer on  
the spirit lies  
than tired eyelids  
upon tired eyes

A. Tennyson

we shall meet again

Fee ... £140 paid online 6/5/2021

Approved: .....

Cheques payable to: .....

1914

1915

1916

1917

1918

1919

1920

1921

1922

1923

1924

1925

1926

1927

1928

1929

1930

1931

1932

1933

1934

1935

1936

1937

1938