

Address Bridge Road Ind Est,

Long Sutton

Post code PE12 9EH

Tel: 01406 363659

VAT RegNo

DATE 30.01.24

Order No.

GLINTON LAWN CEMETERY

MEMORIAL APPLICATION

The Burial Authority is hereby requested to sanction the (erection of a Memorial / addition of an inscription) on the

Grave of: LESUE JOHN LOCKE

Grave number:

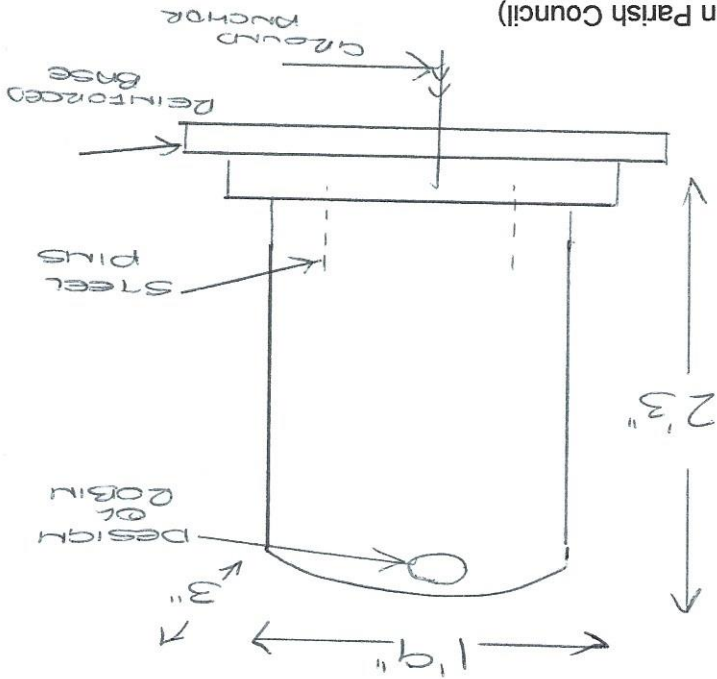
Details of Memorial - (material to be used and method fixing) to comply with BS 8415 and the NAMM Code of Practice

TO SUPPLY AND FIT A CATHY GRANITE HEADSTONE WITH BLACK LETTERING, TO BE FITTED USING GROUND ANCHOR, STEEL PINS

Scaled drawing with dimensions (including inscription)

Or proposed additional inscription if for an existing memorial headstone

IN LOVING MEMORY OF
LESLIE JOHN LOCKE
A DEARLY LOVED
HUSBAND AND DAD
DIED 7TH SEPTEMBER 2009
AGED 83 YEARS
REST PEACEFULLY



Fee enclosed £160..... (Cheque made payable to Glington Parish Council)

Completed applications, together with the fee should be sent to:

The Clerk, Glington Parish Council, 5 St Benedicts Close, Glington, Peterborough. PE6 7LJ

All sections **must** be completed - incomplete forms will be returned to the monumental mason

Address BRIDGE ROAD IND EST,
LONG STON,
Post code PE12 9EH

Tel: 01406 363659

VAT RegNo

DATE 30.01.24
Order No.
GLINTON LAWN CEMETERY

MEMORIAL APPLICATION

The Burial Authority is hereby requested to sanction the (erection of a Memorial / addition of an inscription) on the

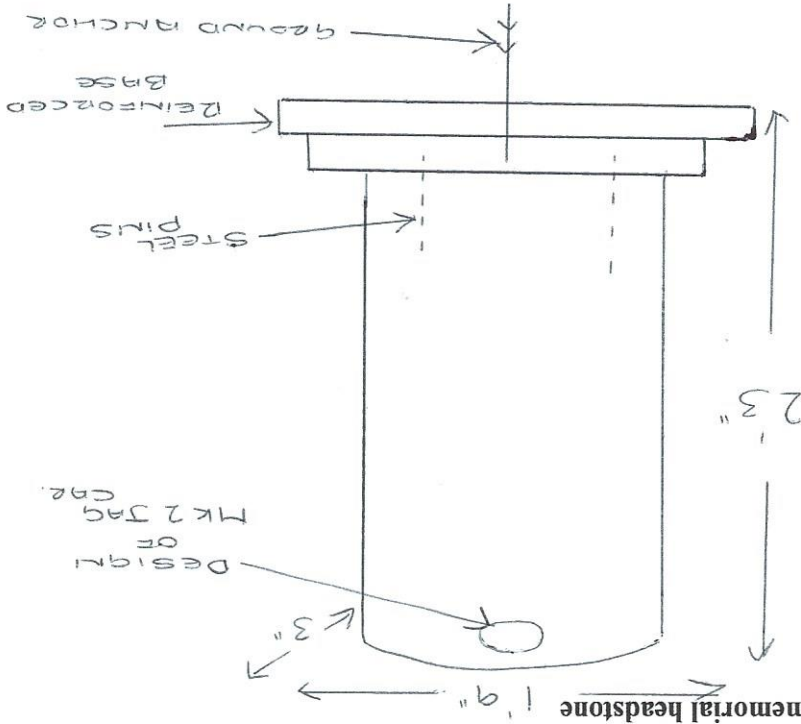
Grave of: STEPHEN LOCKE.

Grave number:

Details of Memorial—(material to be used and method fixing) to comply with BS 8415 and the NAMM Code of Practice.
GATHY GRANITE WITH BLACK LETTERING HEADSTONE,
TO BE FITTED WITH GROUND ANCHOR AND STEEL PINS.

Scaled drawing with dimensions (including inscription)

Or proposed additional inscription if for an existing memorial headstone



IN LOVING MEMORY
OF
STEPHEN LOCKE
A DEARLY LOVED SON
DIED 26TH JANUARY 2022
AGED 75 YEARS
REST DEACERFULLY

Fee enclosed £150..... (Cheque made payable to Glington Parish Council)

Completed applications, together with the fee should be sent to:

The Clerk, Glington Parish Council, 5 St Benedicts Close, Glington, Peterborough. PE6 7LJ

All sections **must** be completed – incomplete forms will be returned to the monumental mason

Address BRIDGE ROAD IND EST

LONG SUTTON

Post code PE12 9EH

Tel: 01406 363659

VAT RegNo

DATE

Order No.

GLINTON LAWN CEMETERY

MEMORIAL APPLICATION

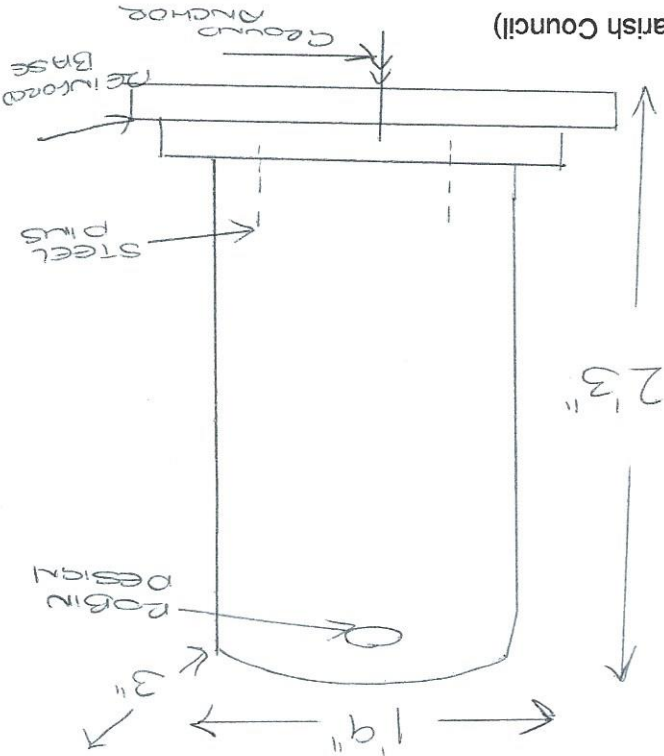
The Burial Authority is hereby requested to sanction the (erection of a Memorial / addition of an inscription) on the

Grave of: DOROTHY MAY LOCKE

Grave number:

Details of Memorial—(material to be used and method fixing) to comply with BS 8415 and the NAMM Code of Practice
 TO SUPPLY AND FIT CATHAY GRANITE HEADSTONE
 WITH BLACK LETTERING, TO BE FITTED USING
 GROUND ANCHOR, STEEL PINS
Scaled drawing with dimensions (including inscription)
 Or proposed additional inscription if for an existing memorial headstone

IN LOVING MEMORY OF
 DOROTHY MAY LOCKE
 A DEARLY LOVED
 WIFE AND MOTHER
 DIED 1ST FEBRUARY 1990
 AGED 64 YEARS
 REST PERCEFULLY



Fee enclosed £160..... (Cheque made payable to Glington Parish Council)

Completed applications, together with the fee should be sent to:
 The Clerk, Glington Parish Council, 5 St Benedicts Close, Glington, Peterborough. PE6 7LJ

All sections **must** be completed — incomplete forms will be returned to the monumental mason